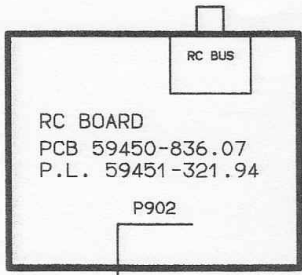


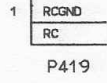
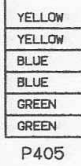
# IPC-SYSTEM

RC400 BLOCK, S01A

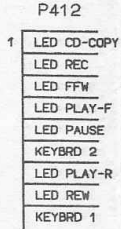
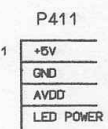
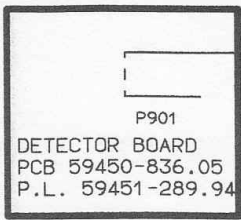
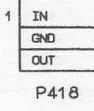
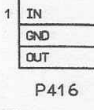
TRANSFORMER  
59430-014.01



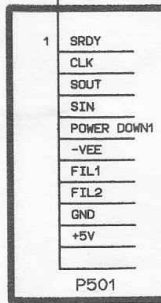
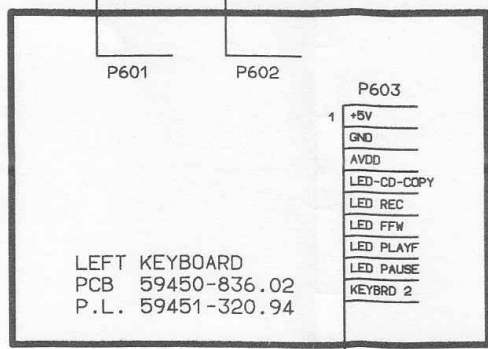
MAINS  
230V  
50HZ/60HZ

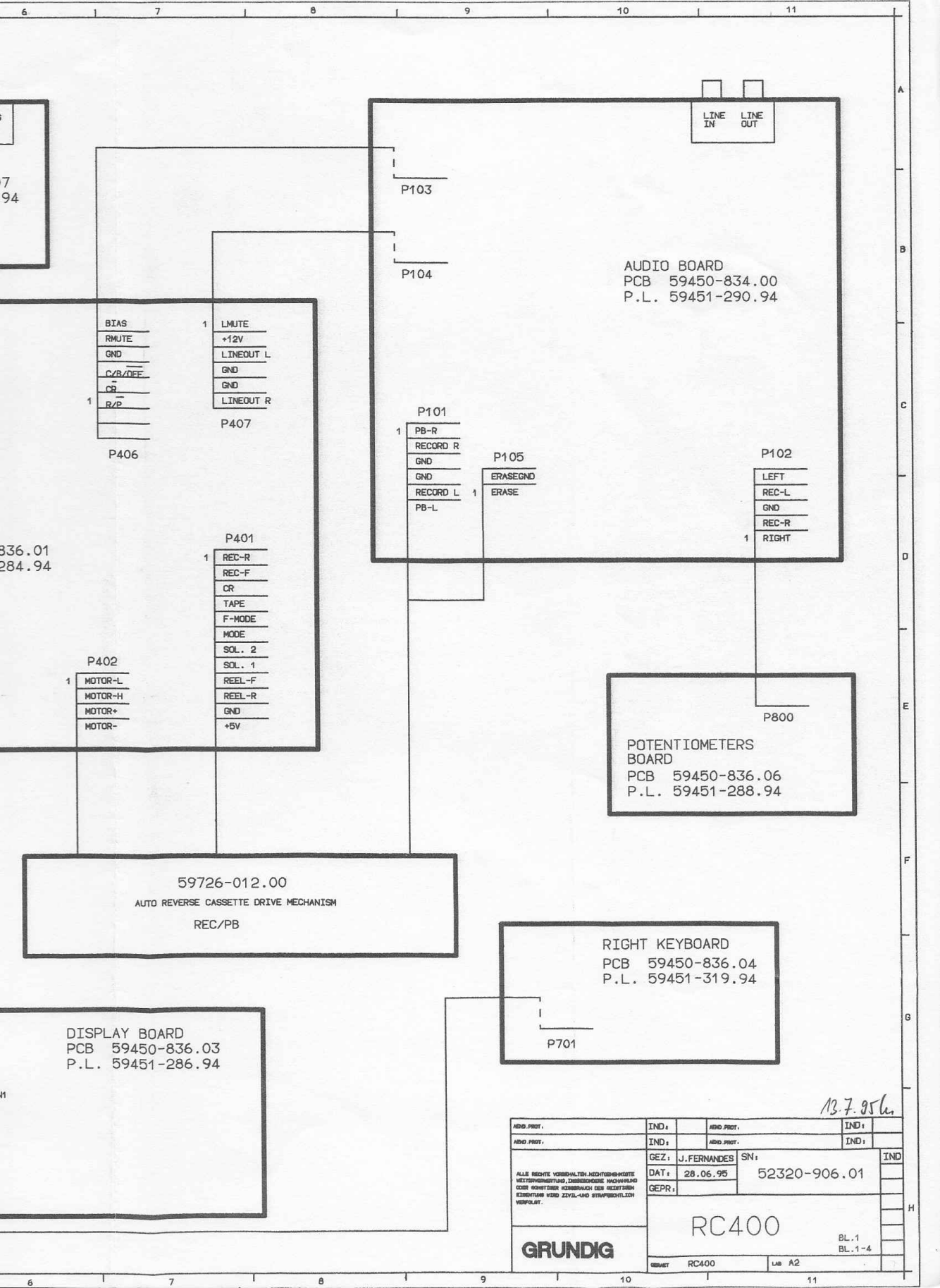


REGULATOR  
BOARDS



LOGIC BOARD  
PCB 59450-836.01  
P.L. 59451-284.94





7  
94

336.01  
284.94

H

A  
B  
C  
D  
E  
F  
G  
H

LINE IN    LINE OUT

P103

P104

**AUDIO BOARD**  
PCB 59450-834.00  
P.L. 59451-290.94

P101

1 PB-R  
RECORD R  
GND  
GND  
RECORD L  
PB-L

P105

ERASEGND  
ERASE

P102

1 LEFT  
REC-L  
GND  
REC-R  
RIGHT

BIAS  
RMUTE  
GND  
C/B/DFF  
CB  
R/P

1 LMUTE  
+12V  
LINEOUT L  
GND  
GND  
LINEOUT R

P407

P406

P401

1 REC-R  
REC-F  
CR  
TAPE  
F-MODE  
MODE  
SOL. 2  
SOL. 1  
REEL-F  
REEL-R  
GND  
+5V

P402

1 MOTOR-L  
MOTOR-H  
MOTOR+  
MOTOR-

P800

**POTENTIOMETERS BOARD**  
PCB 59450-836.06  
P.L. 59451-288.94

59726-012.00  
AUTO REVERSE CASSETTE DRIVE MECHANISM  
REC/PB

P701

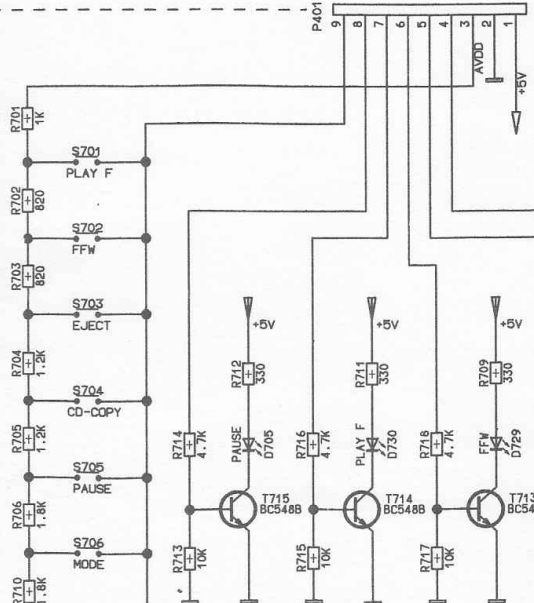
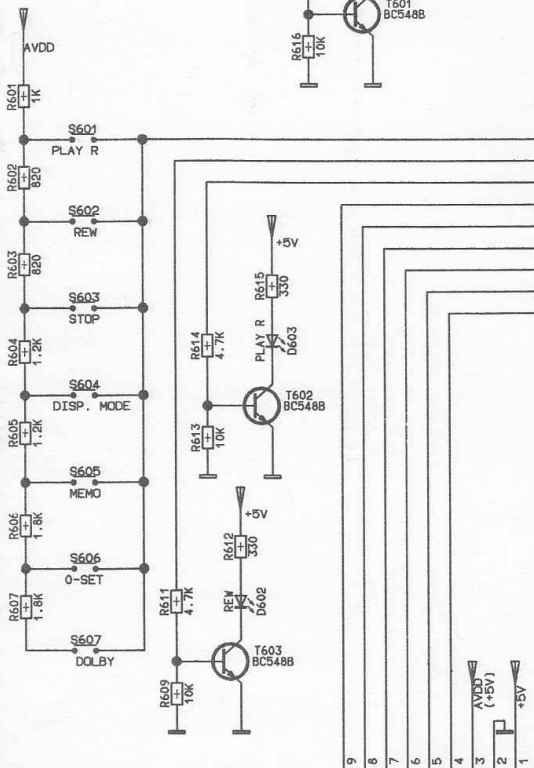
**RIGHT KEYBOARD**  
PCB 59450-836.04  
P.L. 59451-319.94

**DISPLAY BOARD**  
PCB 59450-836.03  
P.L. 59451-286.94

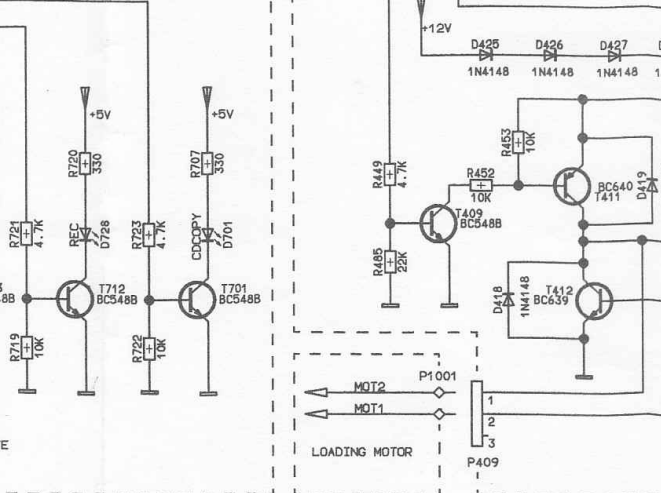
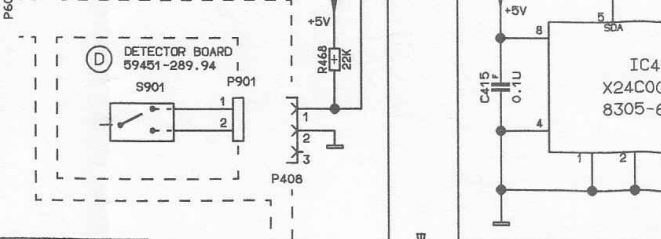
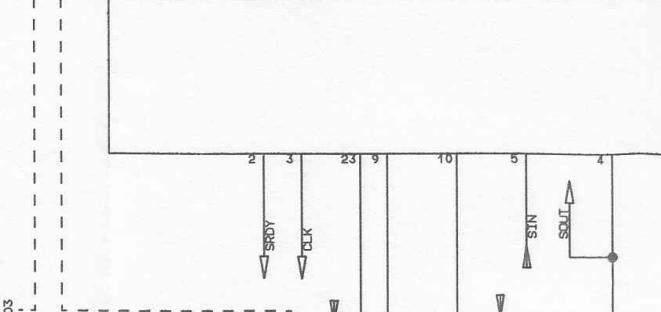
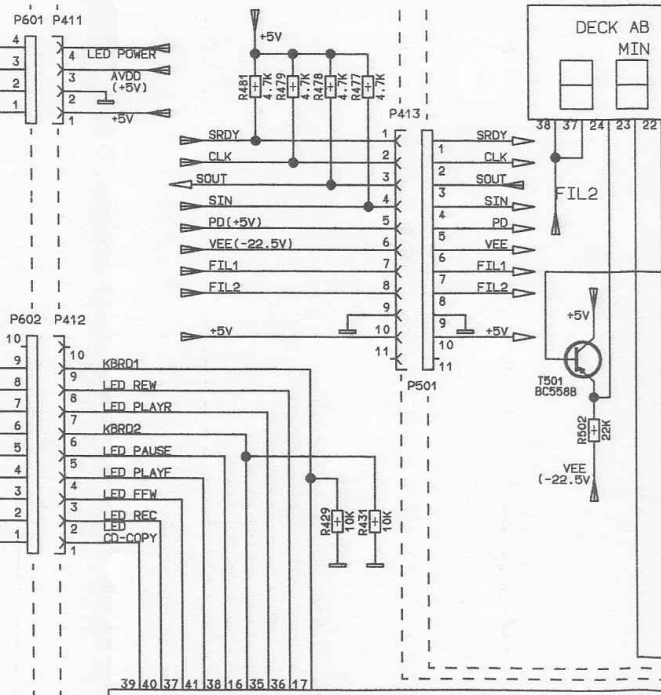
13.7.95

ADD. PROT.	IND:	ADD. PROT.	IND:
ADD. PROT.	IND:	ADD. PROT.	IND:
GEZ:	J. FERNANDES	SN:	52320-906.01
DAT:	28.06.95		
GEPR:			
<b>GRUNDIG</b>			
<b>RC400</b>			
SERIAL RC400		LAB A2	
BL. 1 BL. 1-4			

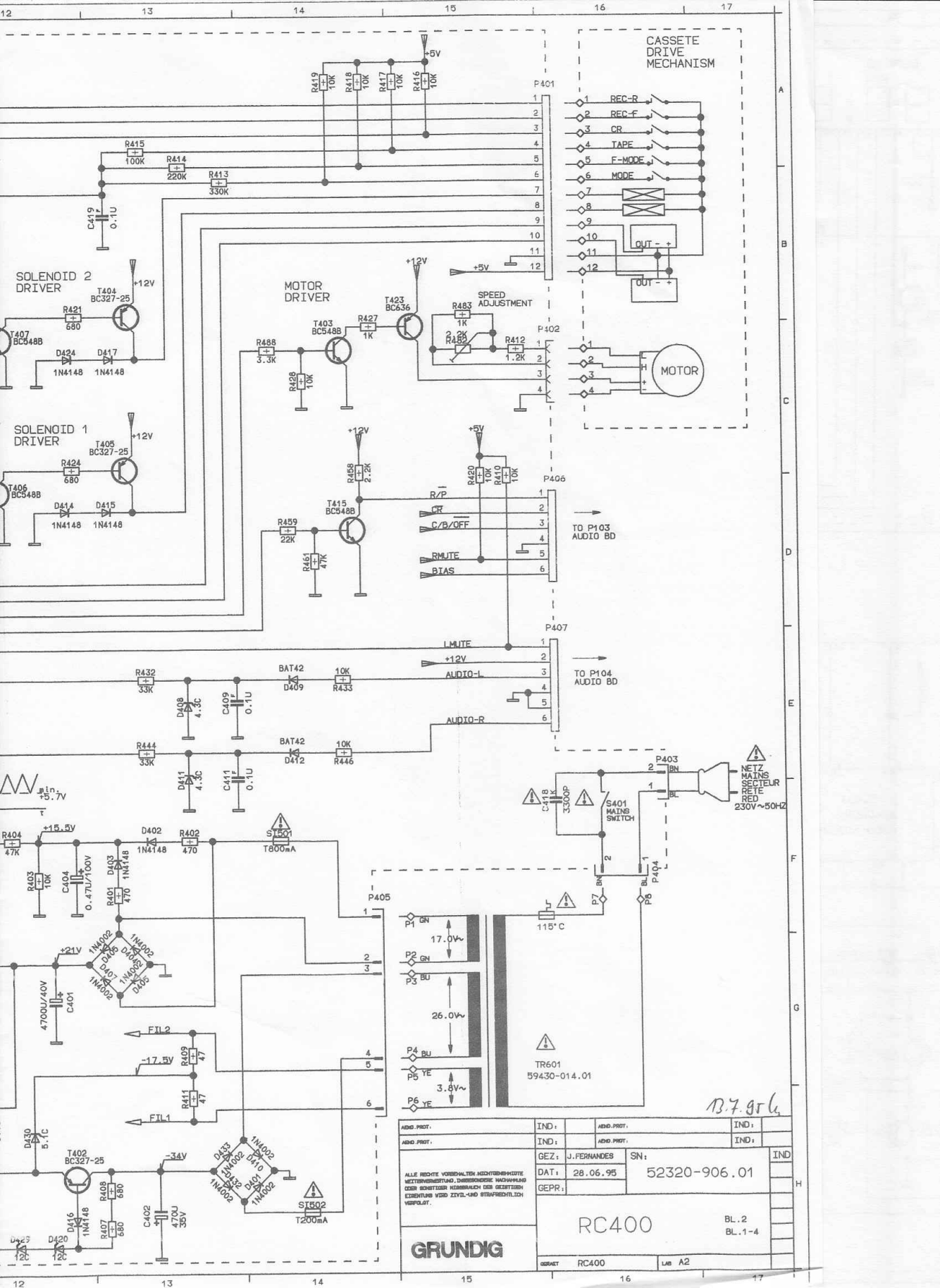
TASTENPLATTE LINKS  
BOTTOM BOARD LEFT  
CIRCUIT IMPRIME TOUCHES GAUCHE  
PLASTRA TASTI SINISTRO  
PLACA DE TECLAS IZQUIERDO  
59451-320.94



TASTENPLATTE RECHTS  
BOTTOM BOARD RIGHT  
CIRCUIT IMPRIME TOUCHES DROITE  
PLASTRA TASTI DESTRO  
PLACA DE TECLAS DERECHO  
59451-319.94







SOLENOID 2 DRIVER

SOLENOID 1 DRIVER

MOTOR DRIVER

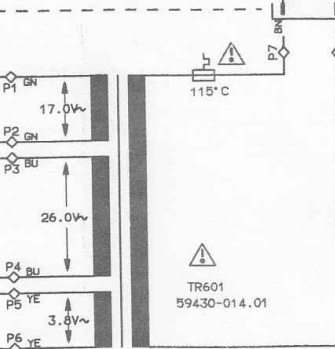
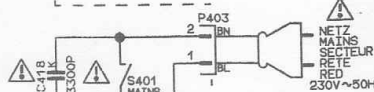
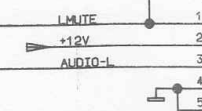
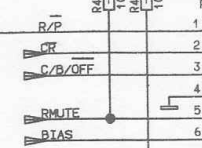
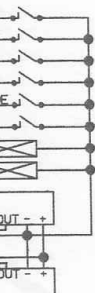
CASSETTE DRIVE MECHANISM

P401

P402

P406

P407



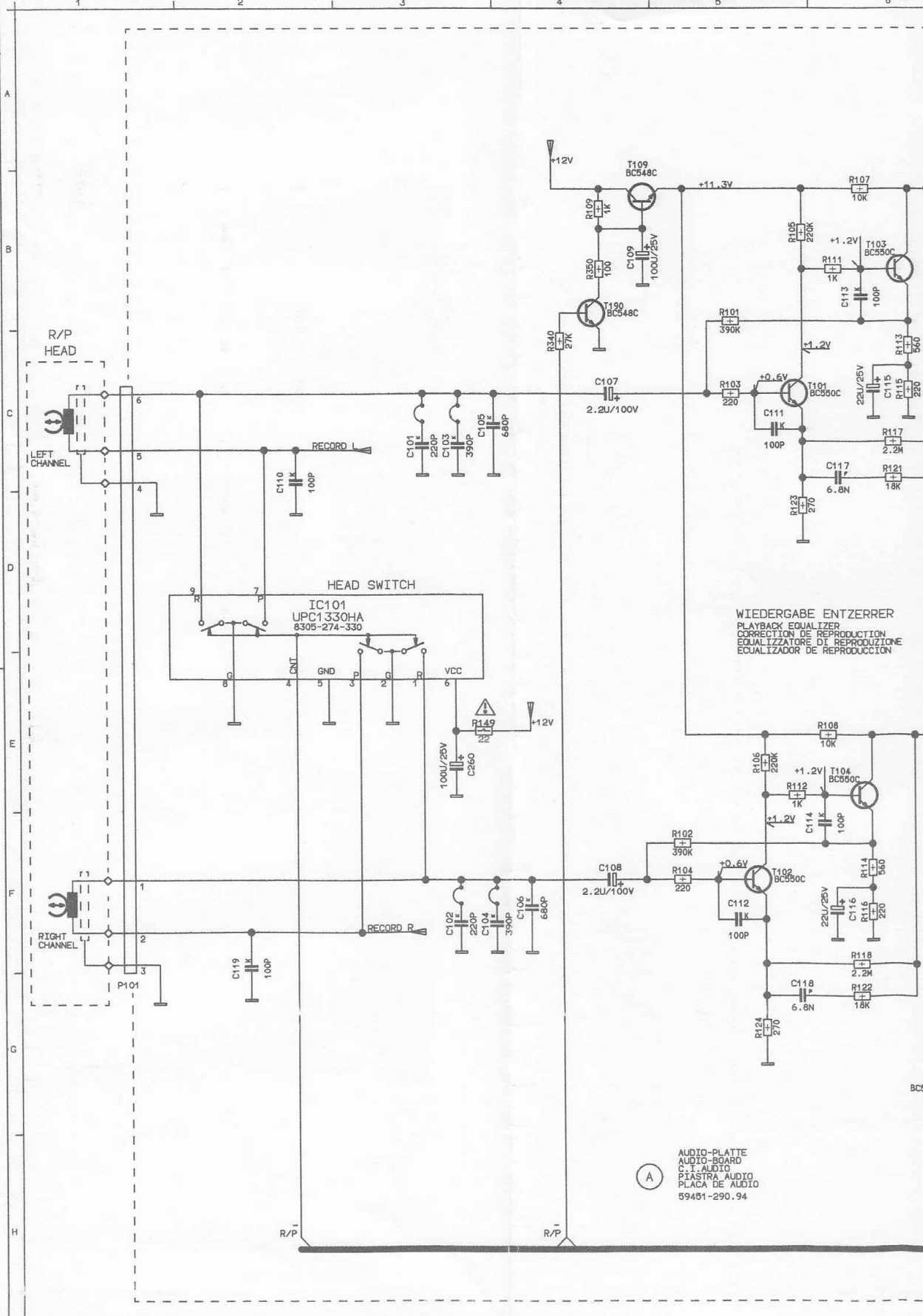
13.7.95

IND:	IND:	IND:	IND:
IND:	IND:	IND:	IND:
GEZ: J.FERNANDES		SN: 52320-906.01	
DAT: 28.06.95			
GEPR:			
<b>GRUNDIG</b>		<b>RC400</b>	
GEBNET RC400		LWB A2	

BL. 2  
BL. 1-4

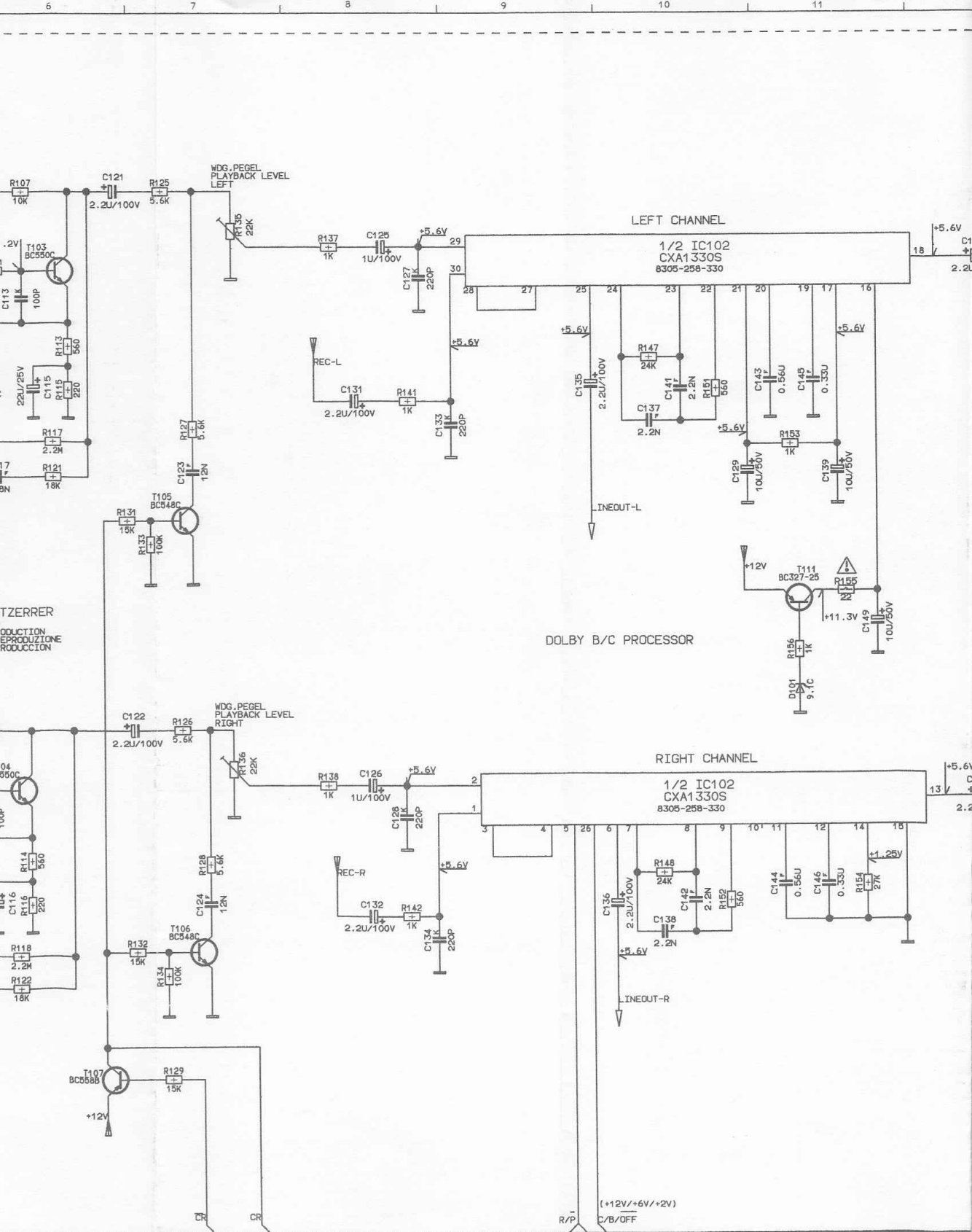
# IPC-SYSTEM

RC400 AUDIO, RA  
RC400 AUDIO, SCH



WIEDERGABE ENTZERREN  
PLAYBACK EQUALIZER  
CORRECTION DE REPRODUCTION  
EQUALIZZATORE DI RIPRODUZIONE  
EQUALIZADOR DE REPRODUCCION

A  
AUDIO-PLATTE  
AUDIO-BOARD  
C-1: AUDIO  
PIASTRA AUDIO  
PLACA DE AUDIO  
59451-290.94



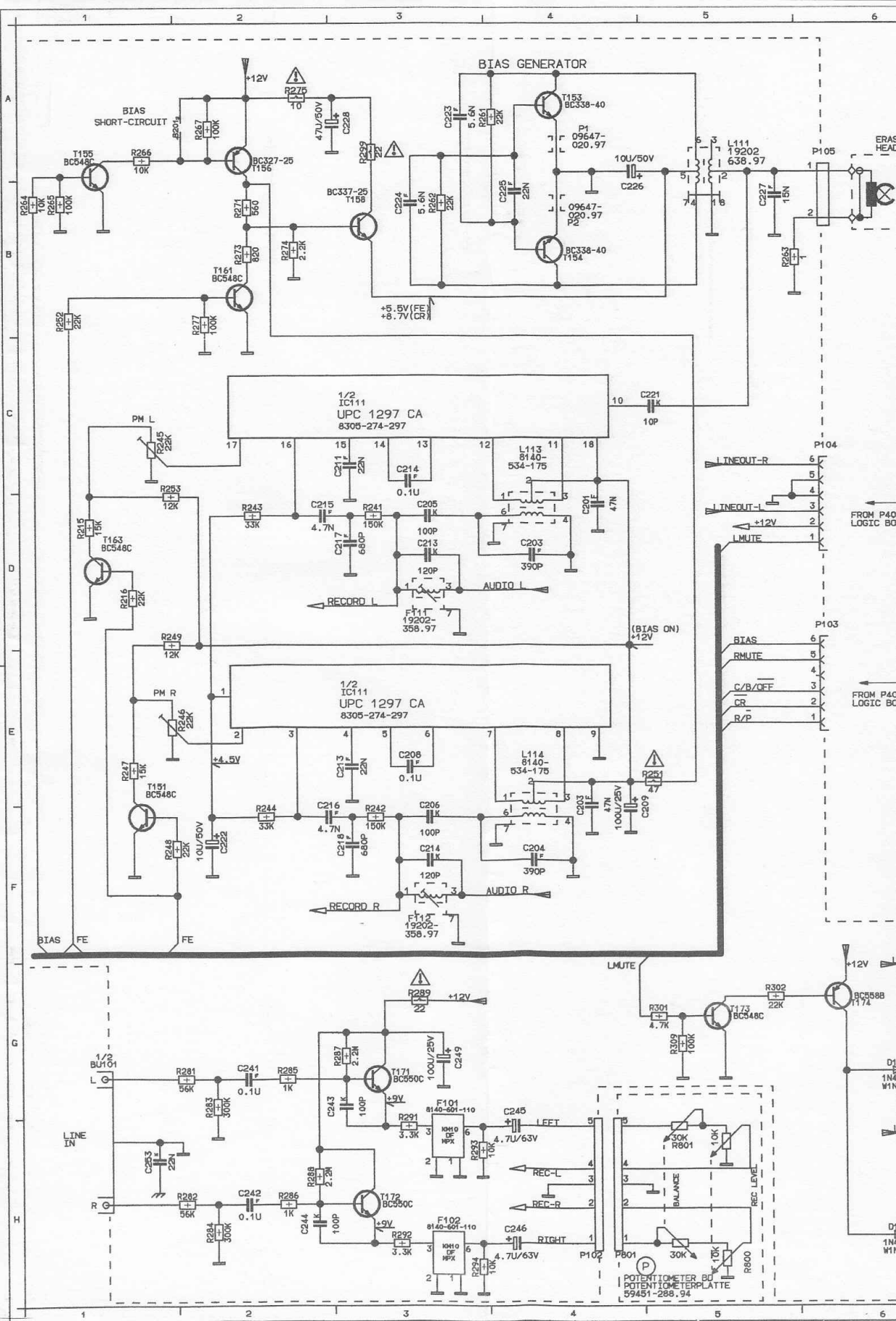






# IPC-SYSTEM

RC400 AUDIO, RA1  
RC400 AUDIO, SCH



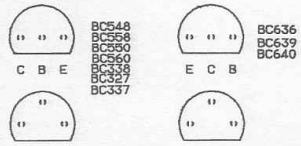
AENDERUNGEN VORBEHALTEN  
 SUBJECT TO ALTERATION  
 SOUS RESERVE DE MODIFIC.  
 CON RISERVA DI MODIFICA  
 RES. EL DERECHO DE MODIFIC.



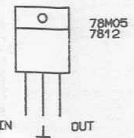
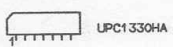
WIDERSTAND/RESISTOR  
 RESISTANCE/RESISTENCIA

- KSM 0204 DIN DRAHT  
BOBINAGE  
A FILO  
BOBINADA
- MSW 0204 DIN
- KSM 0207 DIN METALLOXYDSCHICHT  
METAL OXIDE  
A OXIDE METALLIQUE  
AD OSSIDO METALLICO  
DE CAPA DE OXIDO METALICO
- MSW 0207 DIN
- KSM 0309 DIN RAUSCHARM  
LOW NOISE  
A SUFFLE REDUIT  
A BASSO RUMORE  
DE BAJO RUIDO
- KSM 0411 DIN
- MSW 0309 DIN SCHWER ENTFLAMMBAR  
LOW FLAMMABILITY  
PEU INFLAMMABLE  
A BASSA INFLAMMABILITA  
DIFICILMENTE INFLAMMABLE
- NTC
- MSW 0414 DIN SICHERUNGSWIDERSTAND  
SAFETY RESISTOR  
FUSIBLE  
DI SICUREZZA  
RESISTENCIA FUSIBLE

VON OBEN GESEHEN  
 TOP VIEW  
 VUE DE HAUT  
 VISTA DA SOPRA  
 VISTO DESDE ARRIBA



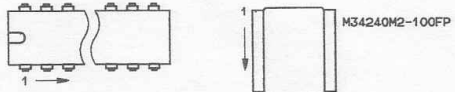
SEITENANSICHT  
 FRONT VIEW  
 VUE DE FACE  
 VISTA DI FRONTE  
 VISTO DEL FRENTE



ACHTUNG!  
 VORSCHRIFTEN BEIM UMGANG MIT  
 MOS-BAUTEILEN BEACHTEN!  
 ATTENTION!  
 OBSERVE MOS COMPONENTS HANDLING  
 INSTRUCTIONS WHEN SERVICING!  
 ATTENZIONE!  
 LORS DE LA MANIPULATION DES  
 CIRCUITS MOS, RESPECTER LES  
 PRESCRIPTIONS MOS!  
 ATTENZIONE!  
 OSSERVARE LE RELATIVE PRESCRIZIONI  
 DURANTE I LAVORI CON COMPONENTI MOS!  
 ATENCION!  
 RESPETAR EL TRATAMIENTO DE  
 COMPONENTS MOS

KONDENSATOR/CAPACITOR  
 CONDENSATEUR/CONDENSATORE/CONDENSADOR

- ELKO  
ELECTROLYTIC  
ELECTROLYTIQUE  
ELETTROLITICO  
ELECTROLITICO
- TANTAL ELKO  
TANTALUM ELECTROLYTIC  
ELECTROLYTIQUE AU TANTALE  
ELETTROLITICO AL TANTALIO  
ELECTROLITICO DE TANTALO
- FOLIE  
FOIL  
A FEUILLE  
A FOGLIA  
DE LAMINA
- KERAMIK  
CERAMIC  
CERAMIQUE  
A CERAMICA  
CERAMICO
- GLIMMER  
MICA  
AU MICA  
A MICA  
DE MICA
- VIELSCHICHT  
MULTILAYER  
A COUCHE MULTIPLES  
A GIU STRATE  
MULTICAPA
- POLYPROPYLEN  
DE POLIPROPILENO  
(KS-KP)



- ⚠ FÜR DIE GERÄTESICHERHEIT ABSOLUT NOTWENDIG UND ENTSPRECHEND DEN RICHTLINITEN DES VDE 0207 TEC. IM ERSATZFALL DÜRFEN NUR BAUTEILE MIT GLEICHER SPEZIFIKATION VERWENDET WERDEN.
- ⚠ ABSOLUTELY NECESSARY FOR THE SAFETY OF THE SET, THESE COMPONENTS MEET THE SAFETY REQUIREMENTS ACCORDING TO VDE 0207, RESP. AND MUST BE REPLACED BY PARTS OF SAME SPECIFICATION ONLY.
- ⚠ ABSOLUMENT NECESSAIRE POUR LA SECURITE DE L'APPAREIL ET CONFORME AUX REGULATIONS VDE 0207. EN CAS DE REMPLACEMENT, N'UTILISER QUE DES COMPOSANTS AVEC LES MEMES SPECIFICATIONS.
- ⚠ NECESSARI PER LA SICUREZZA DELL' APPARECCHIO E SONO CONFORMI ALLE NORMI DI SICUREZZA VDE E TEC. IN CASO DI SOSTITUZIONE IMPIEGARE QUINDI SOLTANTO PEZZI IN RICAMBIO ORIGINALI.
- ⚠ ABSOLUTAMENTE NECESARIO PARA LA SEGURIDAD DEL APARATO Y DE ACUERDO CON LAS NORMAS DE SEGURIDAD VDE 0207. EN CASO DE SUSTITUCION SUSTITUCION SOLO DEBEN EMPLEARSE COMPONENTES CON LA MISMA ESPECIFICACION.

SPANNUNGEN MIT VOLTMETER (RI=10M $\Omega$ ) FALLS NICHT ANDERS ANGEGEBEN, GEGEN MASSE GEMESSEN.  
 MEASURED VALUES ARE VALID FOR 230V AC MAINS VOLTAGE.

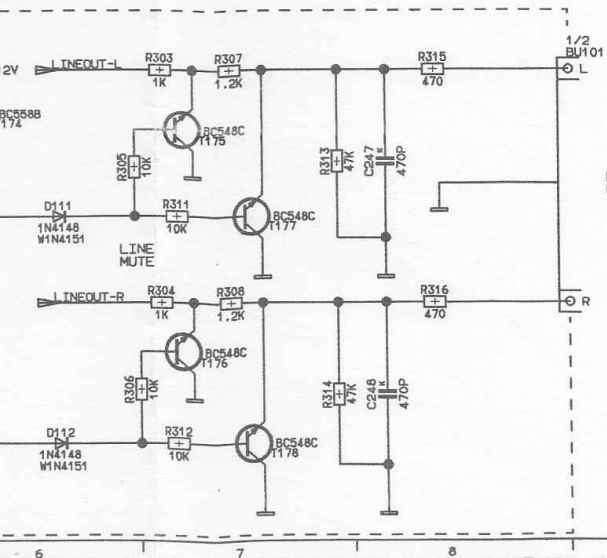
IF NOT OTHERWISE INDICATED ALL VOLTAGES ARE MEASURED AGAINST CHASSIS WITH A VOLTMETER (RI=10M $\Omega$ ). THE VALUES ARE VALID FOR 230V AC MAINS VOLTAGE.

SAUF INDICATION CONTRAIRE, LES TENSIONS SONT MEASUREES PAR RAPPORT AU CHASSIS AVEC UN VOLTMETRE (RI=10M $\Omega$ ). LES VALEURS SONT VALABLES POUR UNE TENSION SECTEUR DE 230V CA.

TENSIONI MISURATE CON VOLTMETRO (RI=10M $\Omega$ ), SALVE ALTRE INDICAZIONI, RIFERITE A MASSA. I VALORI DI MISURA VALGONO CON TENSIONE DI RETE DI 230V.

LAS TENSIONES, SIEMPRE QUE NO SE INDIQUE OTRA COSA, SE MIDEN CON RESPECTO A MASA CON VOLTIMETRO (RI=10M $\Omega$ ). LOS VALORES DE MEDIDA SON VALIDOS CON 230V DE TENSION DE RED.

- BK= SCHWARZ  
BLACK  
NOIR  
NERO  
NEGRO
- BN= BRAUN  
BROWN  
BRUN  
MARRONE  
MARRON
- RD= ROT  
RED  
ROUGE  
ROSSO  
ROJO
- YE= GELB  
YELLOW  
JAUNE  
GIALLO  
AMARILLO
- GN= GRUEN  
GREEN  
VERT  
VERDE
- BU= BLAU  
BLUE  
BLEU  
BLU  
AZUL
- VT= VIOLETT  
VIOLET  
VIOLETT  
VIOLETA
- GY= GRAU  
GREY  
GRIS  
GRIGIO
- RS= ROSA  
PINK  
ROSE
- OR= ORANGE  
ARANCIONE  
ARANJKA
- NF= NATURFARBEN  
NATURAL COLOUR  
COLEUR NATURELLE  
COLORI NATURALI  
COLOR NATURAL



13.7.95

ABO. PROT.	IND:	ABO. PROT.	IND:
ABO. PROT.	IND:	ABO. PROT.	IND:
ALLE RECHTE VORBEHALTEN. KEIN WIEDERABDRUCK. TODAS LOS DERECHOS RESERVADOS. PROHIBIDA LA REPRODUCCION. ALL RIGHTS RESERVED. NO REPRODUCTION. TUTTI I DIRITTI SONO RISERVATI. È VIETATA LA RIPRODUZIONE.		GEZ. J. FERNANDEZ	SN: 52320-906.01
DAT: 28.06.95		IND:	
GEPR:		IND:	
GRUNDIG		RC400 BL. 4 BL. 1-4	
SERIENR. RC400		LAB. A2	